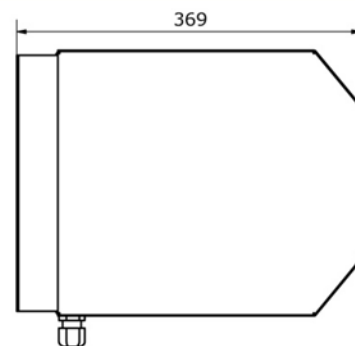
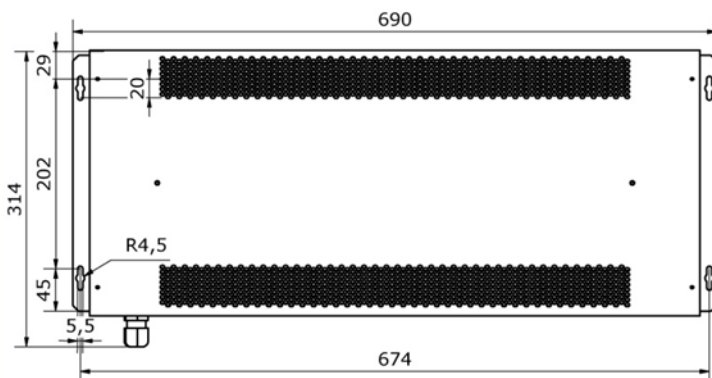


Dump load DL-35K / DL-57K

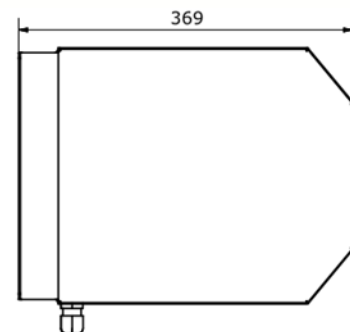
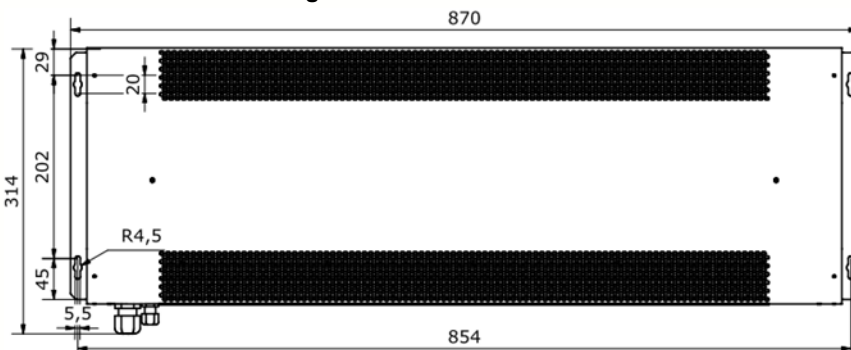
Technical specifications	DL-35K	DL-57K
DVE Technologies part number	801003	801004
Nominal power	3000W	5000W
Burst power	4500W	7500W
Rated current	16Arms max	16Arms max
Ohmic resistance	53ohm	33ohm
Size (H x W x D)	369mm x 314mm x 690mm	369mm x 314mm x 870mm
Accessories	3 meter pre-connected EMC cable	3 meter pre-connected EMC cable

©2012 DVE Technologies ApS — Specifications subject to change without prior notice

DL-35K Mechanical drawing



DL-57K Mechanical drawing



Intelligent wind turbine control

DVE Technologies ApS
 Sdr. Tingvej 10
 6630 Rødding
 Denmark

Phone: +45 73848512
 Fax: +45 73848510
 Mail: info@dvetechnology.dk
www.dvetechnology.dk